

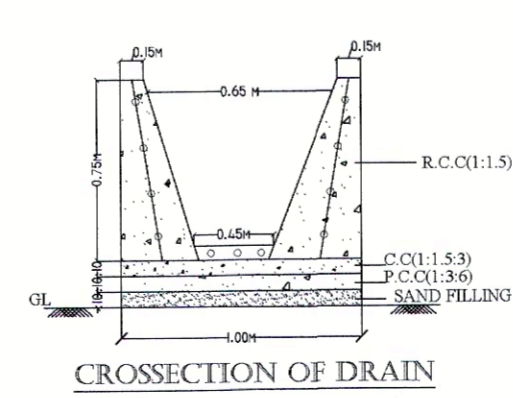
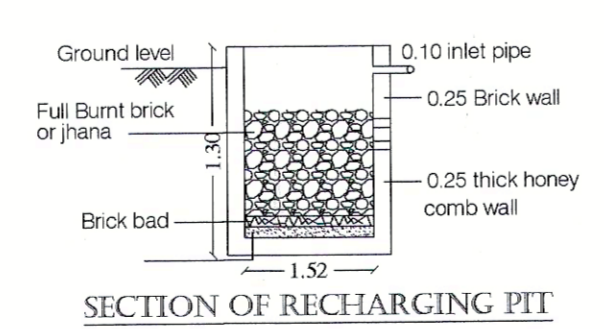
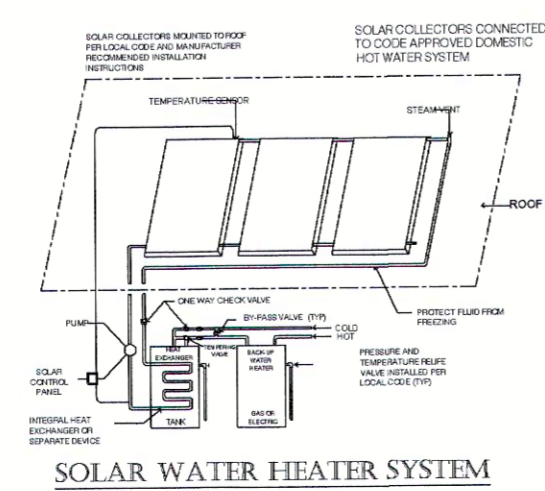
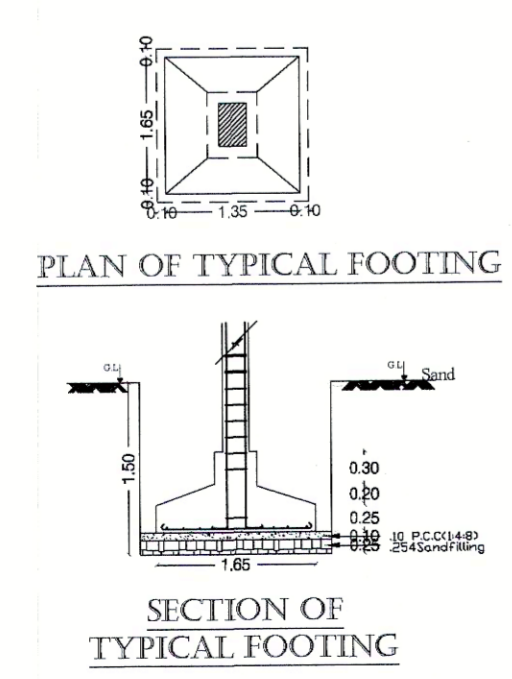
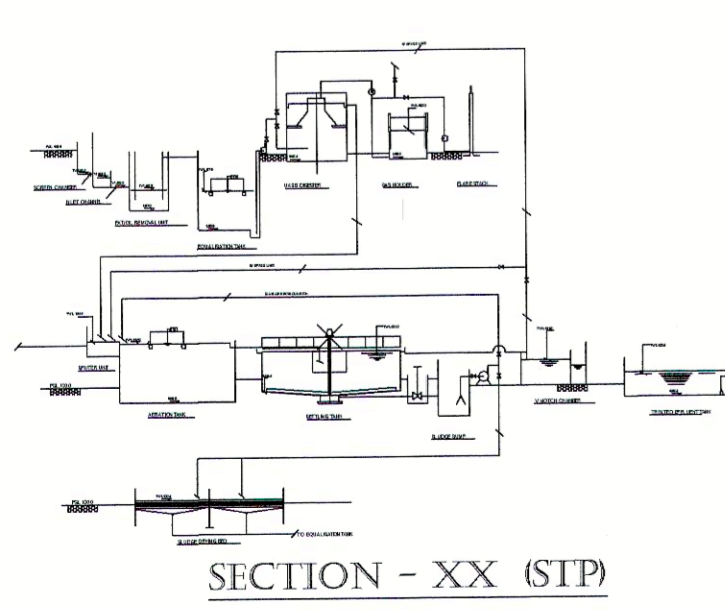
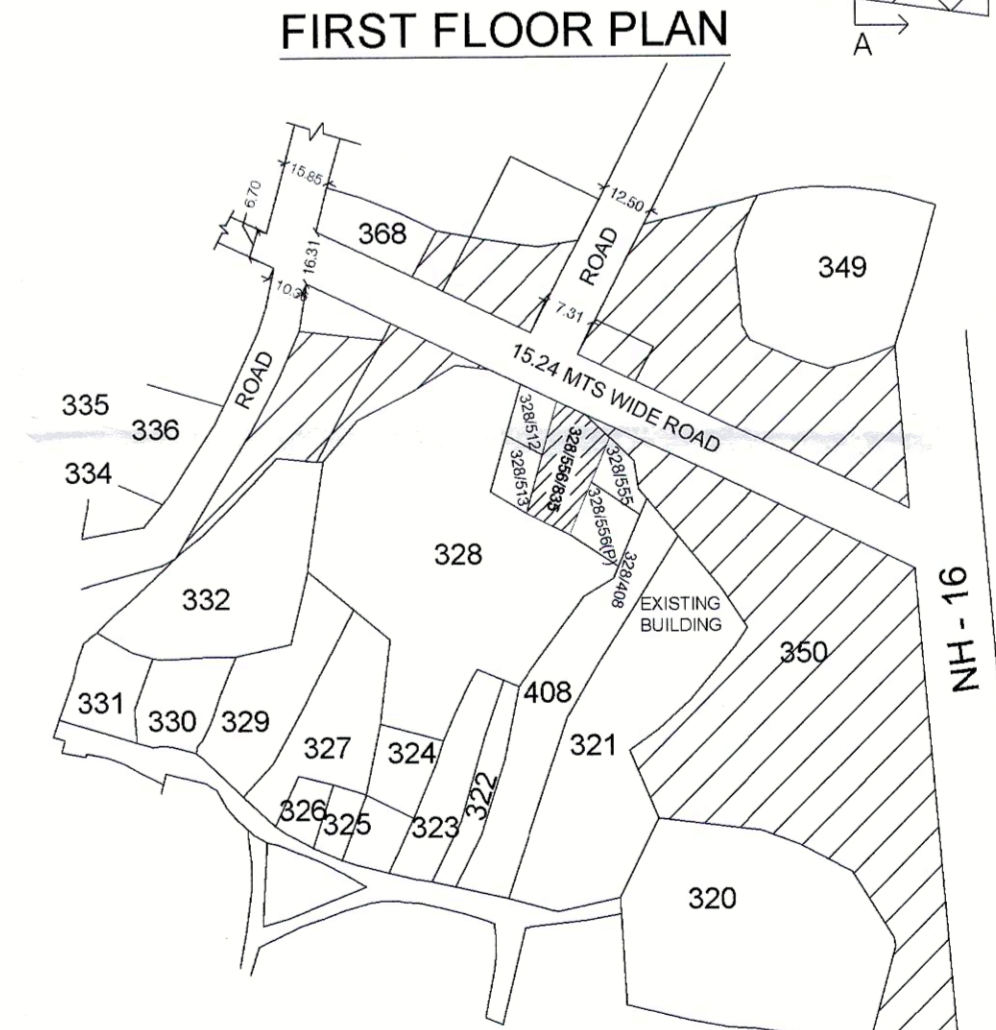
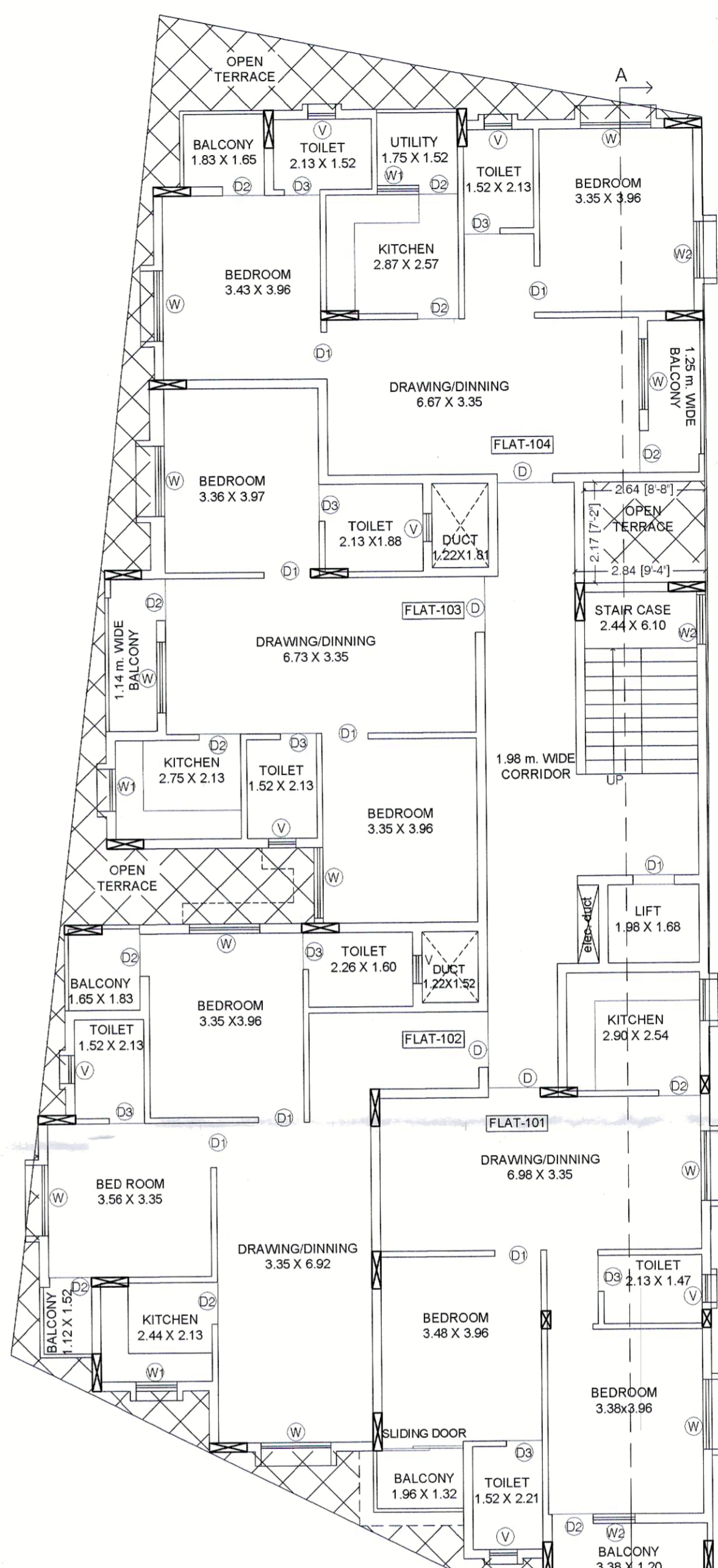
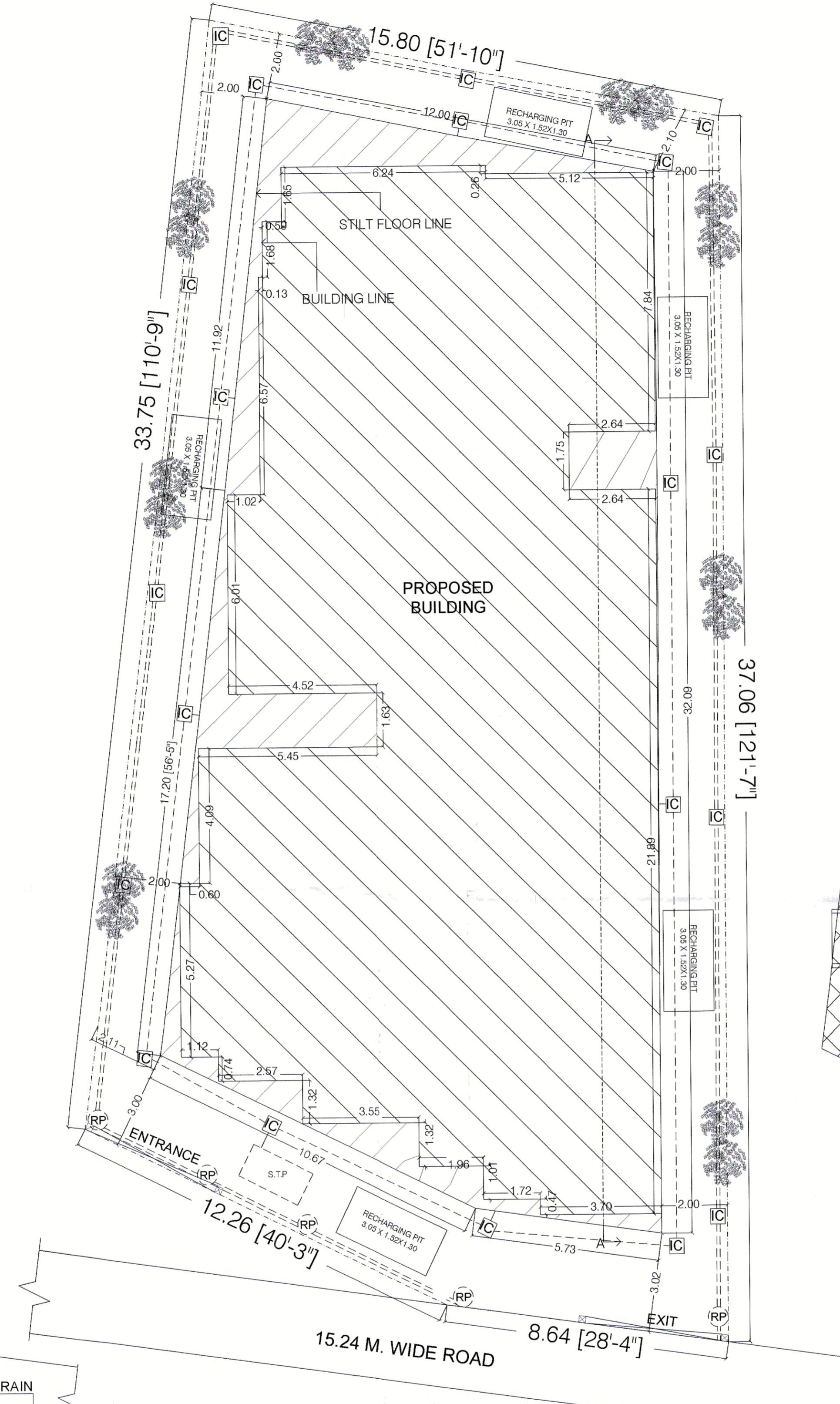
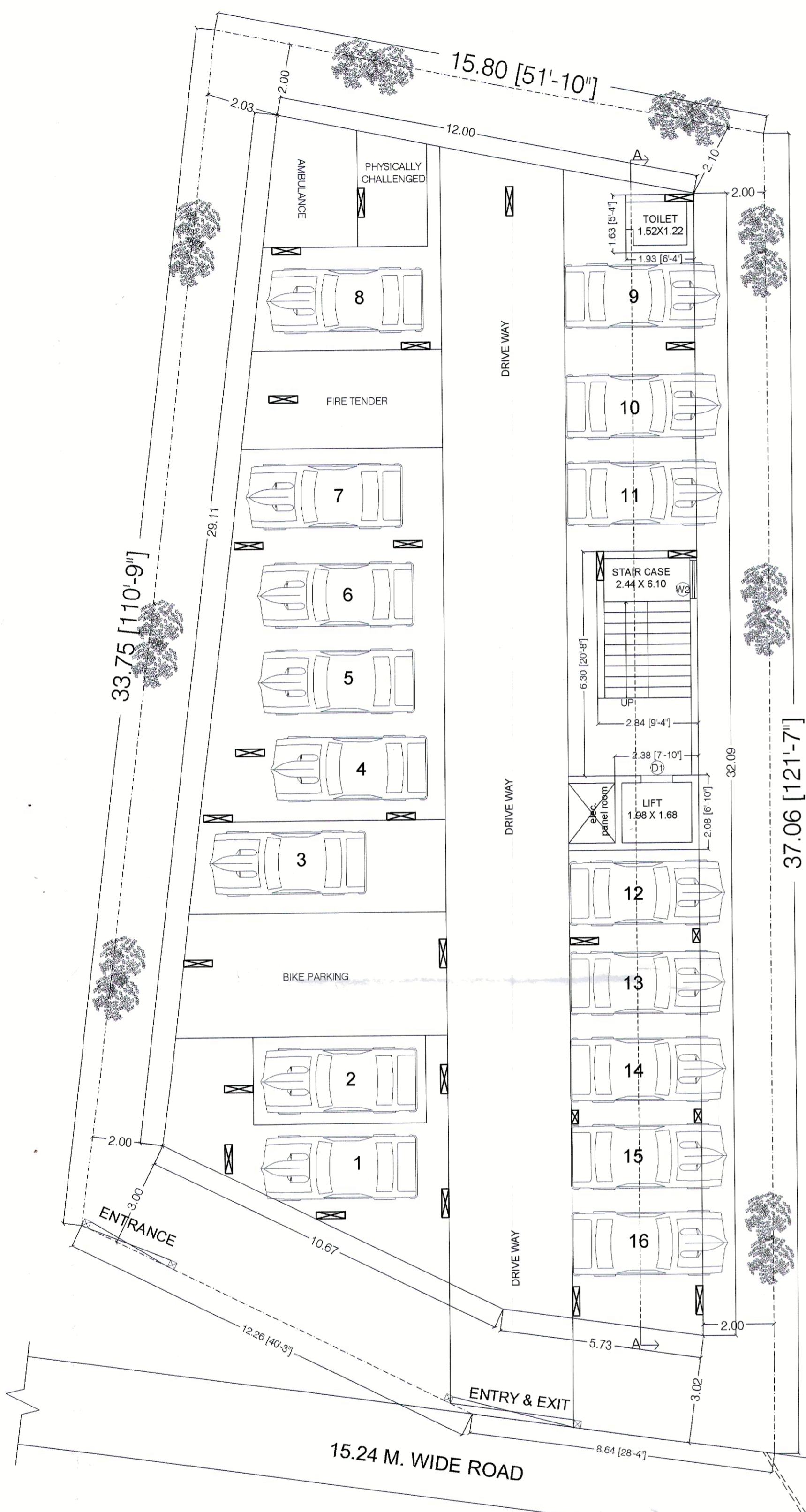
Space for stamping:

173

**CHECKED**  
 Asst. Arch./D/M/...  
 B.D.A.

PERMISSION GRANTED UNDER SEC.16(3) OF O.D.A. ACT, 1982 SUBJECT TO CONDITIONS CONTAINED IN LETTER NO. 18920 DATE 14.08.2019 PERMISSION VALID UP TO DT. 13.08.2022

PLANNING MEMBER / AUTHORISED OFFICER  
 BHUBANESWAR, ODISHA



**Door And Window Schedule**

S.N	NAME	SIZE	SPECIFICATION
1	D	1.20 x 2.13	Double panel teak door with sal wood frame
2	D1	1.06 x 2.13	Single panel Sal wood door with Sal wood frame
3	D2	0.90 x 2.13	Single panel Sal wood door with Sal wood frame
4	D3	0.84 x 2.13	Double panel glass window with sal wood frame
5	W	1.52 x 1.37	Double panel glass window with sal wood frame
6	W1	0.90 x 1.06	Double panel glass window with sal wood frame
7	W2	1.20 x 1.37	Double panel glass window with sal wood frame
8	V	0.60 x 0.61	Louvers with Sal wood frame

**AREA STATEMENT**

PLOT AREA (AC.0.159 dec)	=643.66 Sqm
STILT FLOOR AREA	=427.90 Sqm
STILT FLOOR COMMON AREA	=19.31 Sqm
STILT FLOOR PARKING AREA	=408.59 Sqm
FIRST FLOOR AREA	=370.84 Sqm
SECOND FLOOR AREA	=370.84 Sqm
THIRD FLOOR AREA	=370.84 Sqm
FOURTH FLOOR AREA (including society)	=370.84 Sqm
TOTAL F.A.R B.U.A	=1502.67 Sqm
TOTAL B.U.A	=1911.26 sqm.
F.A.R	=2.33
SOCIETY ROOM AREA (4TH FLOOR)	=16.77 Sqm
No of Units	=16
NO. OF TREES	=8

SET BACK  
 FRONT SIDE = 3.00 Mt  
 REAR SIDE = 2.00 Mt  
 LEFT SIDE = 2.00 Mt  
 RIGHT SIDE = 2.00 Mt  
 BUILDING HEIGHT = 14.90 Mt  
 Recharging Pit = 5 Nos(3.05x1.52x1.30)

**Job Title:**  
 PROPOSED (S+4) STORED RESIDENTIAL APARTMENT BUILDING PLAN FOR Sri. SUDAM PRADHAN OVER PLOT NO - 328/556/835, KHATA NO.-132/76, MOUZA -TAMANDO, BHUBANESWAR ,DIST- KHORDHA.

NAME OF THE POWER OF ATTORNEY HOLDER

For FORTUNE INFRA PROPERTIES (P) LTD.  
**Devkant Patnaik**  
 MANAGING DIRECTOR

SRI. DEVKANT PATNAIK,  
 (MANAGING DIRECTOR)  
 M/S.FORTUNE INFRA PROPERTIES Pvt.Ltd

SCALE 1:100 DRG.NO 01 DRN BY

**SAURASTRA DAS CONSULTANTS**  
 300,KHARVEL NAGAR UNIT - III, BHUBANESWAR PHONE NO- 0674-2392681

ARCHITECT  
**SAGARENDRA MOHAPATRA**  
 CA/99/25469

**SITE PLAN**  
 OVER PLOT NO - 328/556/835, KHATA NO. -132/76, MOUZA -TAMANDO, BHUBANESWAR ,DIST- KHURDA SCALE:-1:1600